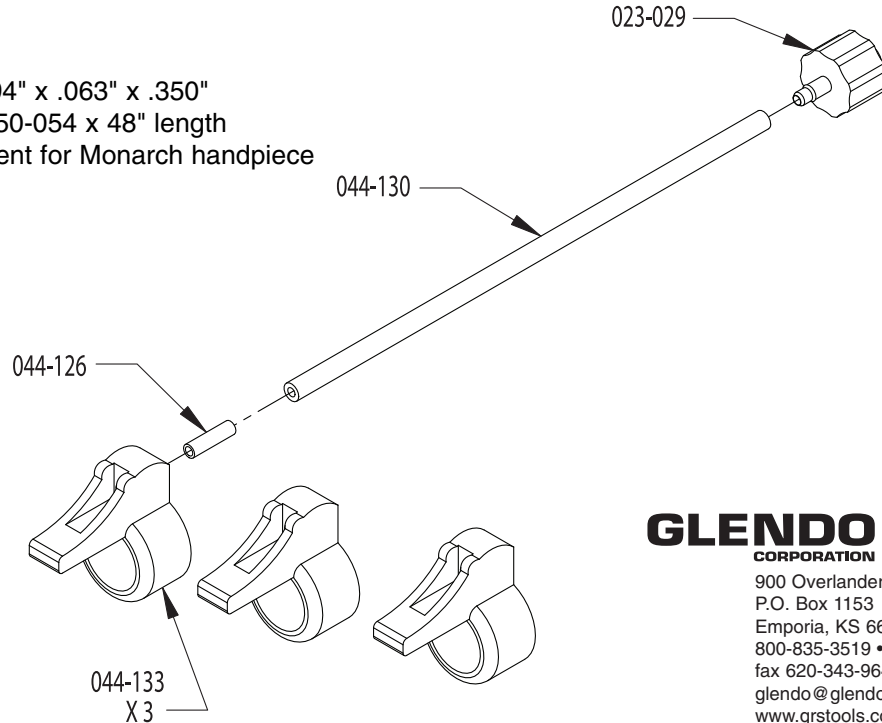




# Airtact Thumb/Finger Touch Element PARTS LIST

for Monarch Handpiece • PART #004-954

Part No.	Description
023-029	Male 3/32" ID tube
044-126	Hose connection .094" x .063" x .350"
044-130	Airtact control line 050-054 x 48" length
044-133	Thumb control element for Monarch handpiece



## GLENDO CORPORATION

900 Overlander Road  
P.O. Box 1153  
Emporia, KS 66801 USA  
800-835-3519 • 620-343-1084  
fax 620-343-9640  
glendo@glendo.com  
www.grstools.com

LIT-300