

GRS A/T Filter Hook Up Kit INSTRUCTIONS

For GraverMax • PART #004-971

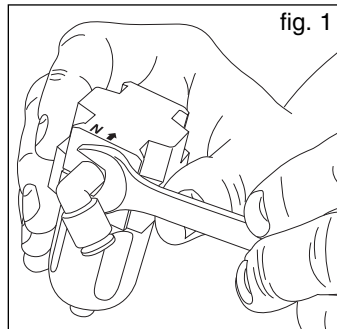
AIRTACTION HOOK-UP KIT FOR GRAVERMAX

GraverMax kit (#004-971) contains a 5 micron filter and fittings designed to make hooking up your new Airtact unit to the GraverMax easy. This kit installs in the air supply line that runs to the GraverMax before it reaches the stock filter/regulator mounted at the rear of the GraverMax unit. Installation will require using the parts that come with the Airtact as well as the parts included in this hook-up kit.

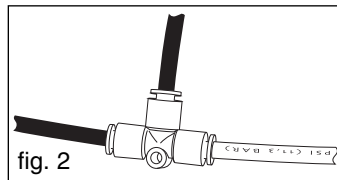
Please note: The black hose (#044-136, fig. 3) is for connecting the HIGH pressure air coming from your compressor. The clear hose (#044-135, fig. 3) is for connecting LOWER pressure air from the foot throttle port to the Airtact.

First decide where your new Airtact unit will be placed. This will determine where the filter is mounted since it can be placed on a wall, side of a workbench or the side of the Airtact. For instructional purposes, we will be mounting it to the right side of the Airtact. *Please refer to the PARTS LIST for product descriptions and illustrations.*

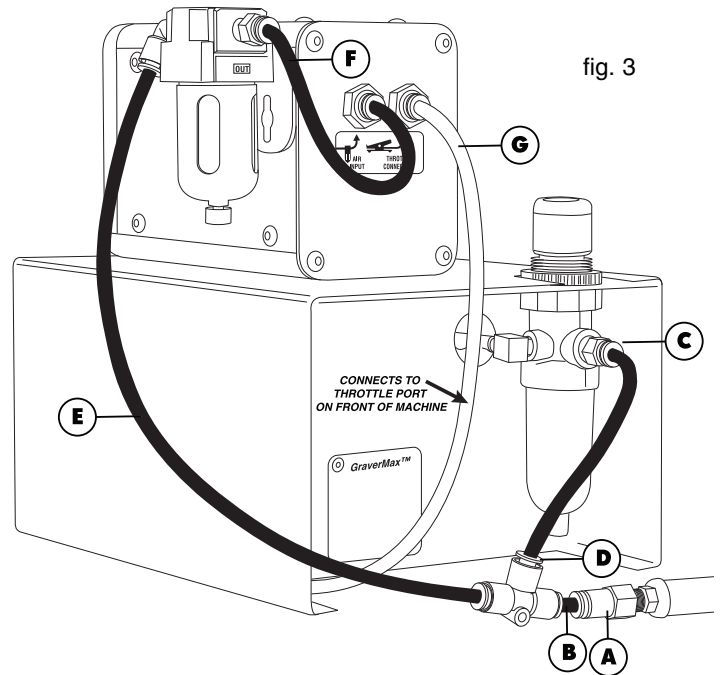
Locate the filter body (#022-944), and install the supplied pieces, the 90° (#022-230) to the side marked "N" (fig. 1) and the push-in male connector (#022-231) to the opposite threaded port. After tightening both pieces, the filter is ready to be mounted.



There are 4 screws on each side of the Airtact. Looking at the front of the unit, remove the screw located on the right side, top-rear. Using the same screw, attach the bracket (#044-051) and tighten firmly. Place the filter under the bracket and use the 2 screws (#022-978) supplied with the kit to attach it.

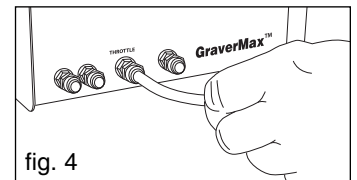


Disconnect the air supply line from the air supply fitting and unscrew the air supply fitting from the GraverMax filter/regulator. Using this air supply line, connect it to the tee connector (#023-032) (fig. 2) supplied with the Airtact unit. If you are using an air hose other than the 1/4" OD white plastic hose included in our compressor hookup kit, we have supplied 1/8" npt quick connect fitting (#023-042) for rubber air hoses with a male 1/8" npt fitting on the end. Screw the fitting on the end of your hose (fig. 3-A) and you are ready for a push-to-connect hookup using the short black hose (#044-111) (fig. 3-B) supplied. Take the tee connector (#023-032) and push it



onto the short black hose.

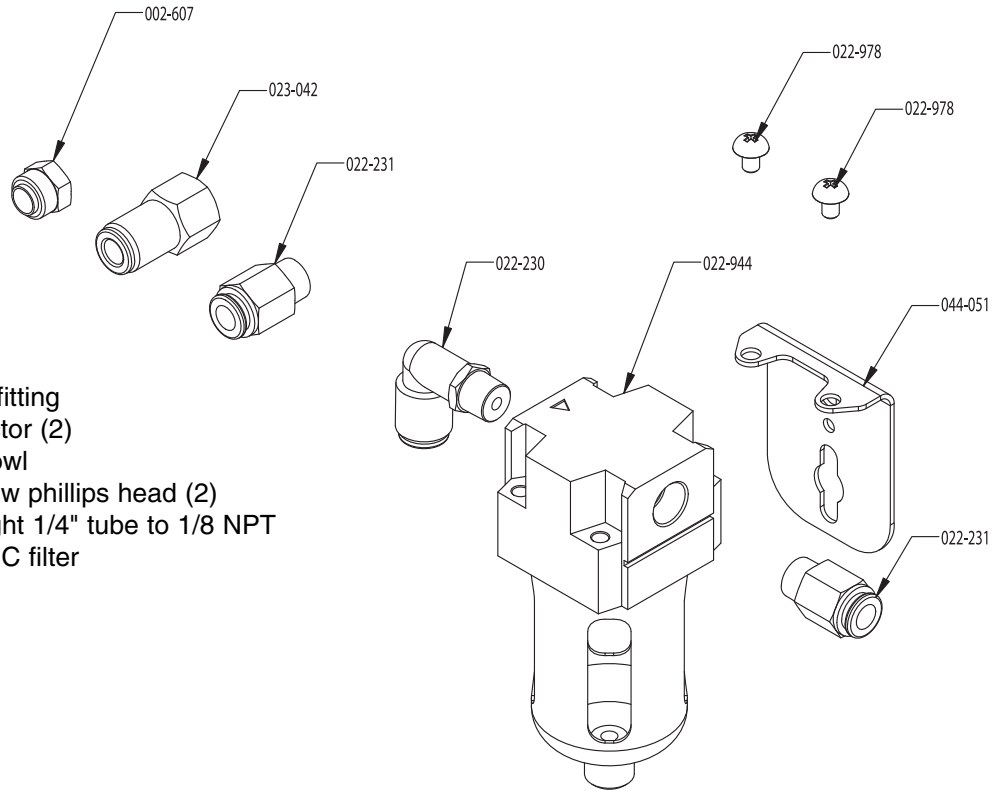
On the existing GraverMax filter/regulator unit, take the push-in male connector (#022-231) and install it in the regulator where the air supply hose was previously connected (fig. 3-C). Using the black hose (#044-135) supplied, cut to desired length and insert one end into the new fitting located on the GraverMax filter/regulator and the other end into the tee connector (#023-032) (fig. 3-D). Cut another piece of black hose and connect one end to the filter assembly 90° fitting (#022-230) on the side marked "N" of the filter body, and the other end of the hose to the tee connector (#023-032) (fig. 3-E). Cut one last piece of black hose and connect one end to the other side of the filter assembly to the fitting (#022-231) and the other end of the hose to the Airtact quick connect fitting marked "AIR INPUT" located on the back of the unit (fig. 3-F).



On the the front of the GraverMax, remove the foot throttle hose from the throttle port and use the clear hose (#044-136) and the compression fitting (#002-607) supplied with the hook-up kit to connect the hose. Install the compression fitting onto the clear hose and connect to the fitting on the front of the GraverMax marked "THROTTLE" (fig. 4). Connect the other end of the clear hose to the back of the Airtact unit marked "THROTTLE CONNECTION" (fig. 3-G). **NOTE: Try to keep this hose length to a minimum, TRIM EXCESS LENGTH.** You are now ready to follow the instructions supplied with the Airtact unit.

GRS A/T Filter Hook Up Kit PARTS LIST

For GraverMax • PART #004-971



Part No. Description

- 002-607 Nut with sleeve
- 022-230 90° push to connect fitting
- 022-231 Push-in male connector (2)
- 022-944 5-micron filter and bowl
- 022-978 4mm x .7 metric screw phillips head (2)
- 023-042 Push-in female straight 1/4" tube to 1/8 NPT
- 044-051 Bracket to mount SMC filter