

GRS A/T Filter Hook Up Kit INSTRUCTIONS

For GraverMate • PART #004-972

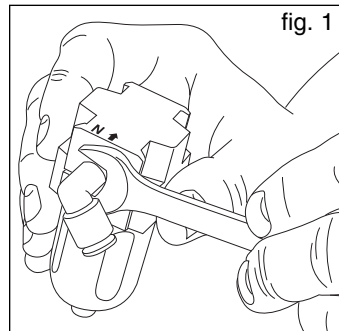
AIRTACTION HOOK-UP KIT FOR GRAVERMATE

GraverMate kit (#004-972) contains a 5 micron filter and fittings designed to make hooking up your new Airtact unit to the GraverMate easy. This kit installs in the air supply line that runs to the GraverMate before it reaches the stock filter/regulator air supply fitting mounted at the rear of the GraverMate unit. Installation will require using the parts that come with the Airtact as well as the parts included in this hook-up kit.

Please note: The black hose (#044-136) is for connecting the HIGH pressure air coming from your compressor. The clear hose (#044-135) is for connecting LOWER pressure air from the foot throttle port to the Airtact.

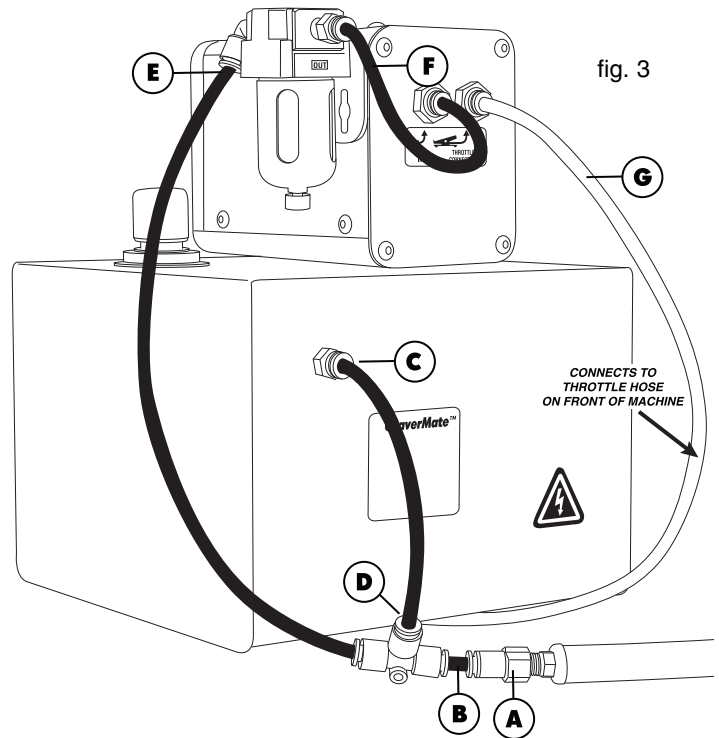
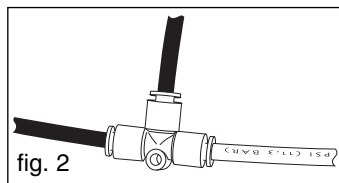
First decide where your new Airtact unit will be placed. This will determine where the filter is mounted to since it can be placed on a wall, side of a workbench or the side of the Airtact. For instructional purposes, we will be mounting it to the right side of the Airtact. Please refer to the PARTS LIST for product descriptions and illustrations.

Locate the filter body (#022-944), and install the supplied pieces, the 90° (#022-230) to the side marked "N" (fig. 1) and the push-in male connector (#022-231) to the opposite threaded port. After tightening both pieces, the filter is ready to be mounted.



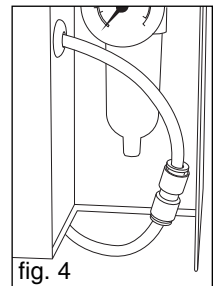
There are 4 screws on each side of the Airtact. Looking at the front of the unit, remove the screw located on the right side, top-rear. Using the same screw, attach the bracket (#044-051) and tighten firmly. Place the filter under the bracket and use the 2 screws (#022-978) supplied with the kit to attach it.

Disconnect the air supply line from the air supply fitting and unscrew the air supply fitting from the GraverMate rear panel. Using this air supply line, connect it to the tee connector (#023-032) supplied with the Airtact unit. (fig.2) If you are using an air hose other than the 1/4" OD white plastic hose included in our compressor hookup kit, we have supplied 1/8" npt quick connect fitting (#023-042) for rubber air hoses with a male 1/8" npt fitting on the end. Screw the fitting on the end of your hose (fig. 3-A) and you are ready for a push-to-connect hookup using the short black hose (#044-111) (fig. 3-B) supplied. Take the tee connector (#023-032) and push it onto the short black hose.



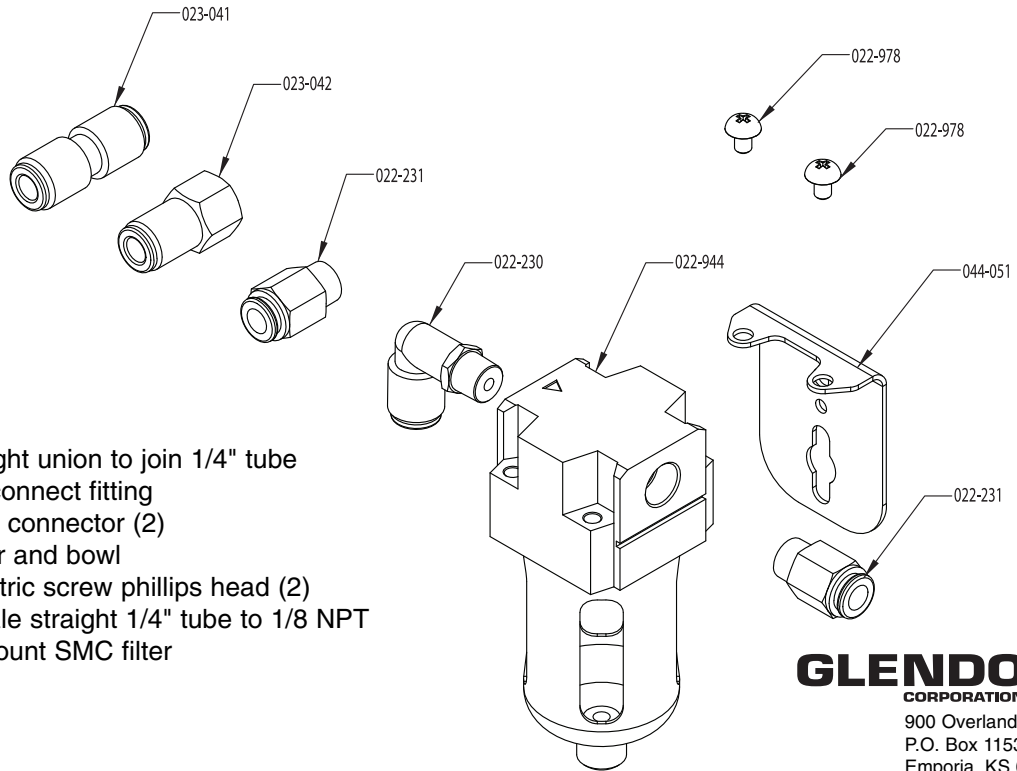
On the rear of the GraverMate install connector (#022-231) into the air supply port where the supply line was previously connected (fig. 3-C). Using the black hose (#044-135) supplied, cut to desired length and insert one end into the new fitting located in the GraverMate air supply port and the other end into the tee connector (#023-032) (fig. 3-D). Cut another piece of black hose and connect one end to the filter assembly 90° fitting (#022-230) on the side marked "N" of the filter body, and the other end of the hose to the tee connector (#023-032) (fig. 3-E). Cut one last piece of black hose and connect one end to the other side of the filter assembly to the fitting (#022-231) and the other end of the hose to the Airtact quick connect fitting marked "AIR INPUT" located on the back of the unit (fig. 3-F).

On the front the GraverMate, locate the foot throttle hose and cut it approximately 6~8" (152mm ~ 203mm) from the panel where the throttle hose exits. Use the straight push-in connector (#023-041) to join the short throttle hose to the clear hose (#044-136) (fig. 4) supplied with the hook-up kit. Run this hose to the back of the Airtact control unit and plug it into the port marked "THROTTLE CONNECTION" (fig. 3-G). **NOTE: TRY TO KEEP THIS HOSE LENGTH TO A MINIMUM, TRIM EXCESS LENGTH.** You are now ready to follow the instructions supplied with the Airtact unit.



GRS A/T Filter Hook Up Kit PARTS LIST

For GraverMate • PART #004-972



Part No. Description

- 023-041 Push-in straight union to join 1/4" tube
- 022-230 90° push to connect fitting
- 022-231 Push-in male connector (2)
- 022-944 5-micron filter and bowl
- 022-978 4mm x .7 metric screw phillips head (2)
- 023-042 Push-in female straight 1/4" tube to 1/8 NPT
- 044-051 Bracket to mount SMC filter

GLENDO CORPORATION

900 Overlander Road
P.O. Box 1153
Emporia, KS 66801 USA
800-835-3519 • 620-343-1084
fax 620-343-9640
glendo@glendo.com
www.glendo.com

LIT-302